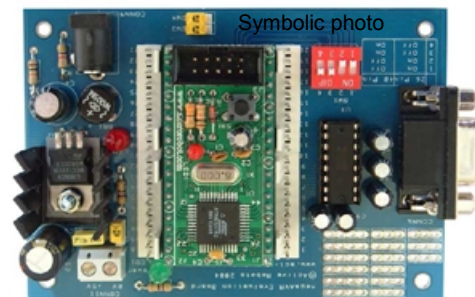


Title: Reference Design: Atmel®-based RDS TDC/ODA Data Receiver

The reference design's idea is to provide customers with a turnkey embedded RDS platform. CPU and tuner type are wisely chosen, allowing customers to directly use the reference design as their own production's basis.

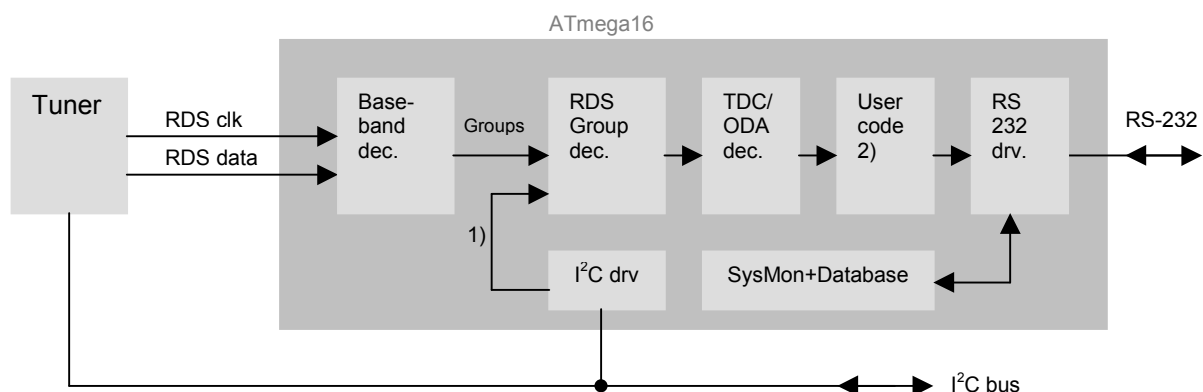
The modular software architecture allows for easy adaption in case of different hardware requirements (e.g. tuner).



- Board: Approx. 105 x 70 x 17 mm
- Ratings: DC 12V, 150mA
- Receiver control: Via RS-232. Settings are stored in NVM.
- CPU: Atmel® AVR® ATmega16
- Tuner: Microtune® 1390EHC
- Output:
 - Payload of up to 32 programmable TDCs and up to 8 programmable ODAs.
 - 'Standard' RDS data, like PS, PI, RadioText, AF and other
 - Signal strength, RDS error rates, RDS statistics
- Expansion header: Power, I²C bus, RDS clock+data, 6 GPIO lines
- Contents of delivery:
 - Receiver board with uploaded firmware
 - Firmware source codes (ANSI-C)
 - Complete RDS Decoder Toolkit (see separate PDF)
 - Board schematics and CAD files (Protel)
 - PC application for board setup, control and firmware upload
 - English manual (board description, software architecture description)

Price/Availability: Contact Esslinger Data Engineering

Firmware building blocks:



- Notes:
- 1) This signal path only if an external RDS processor is used
 - 2) User code is implemented as an empty function, just passing the data through.

All information is subject to change without further notice.